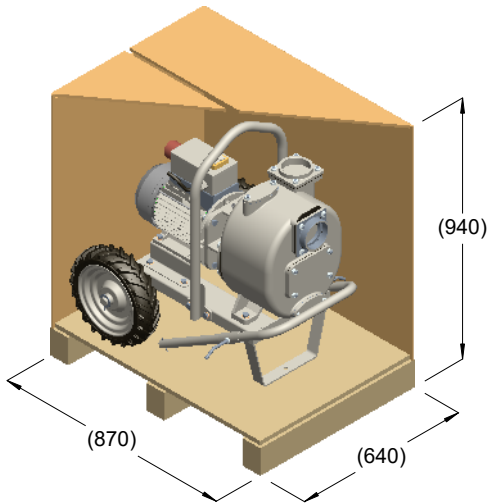
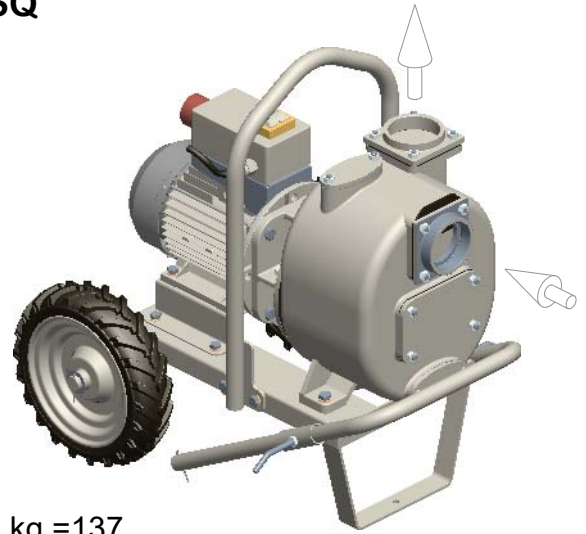


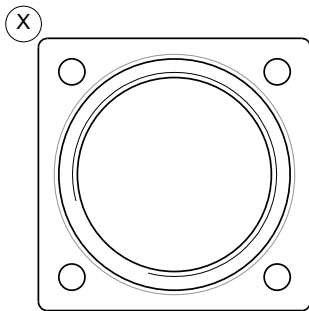
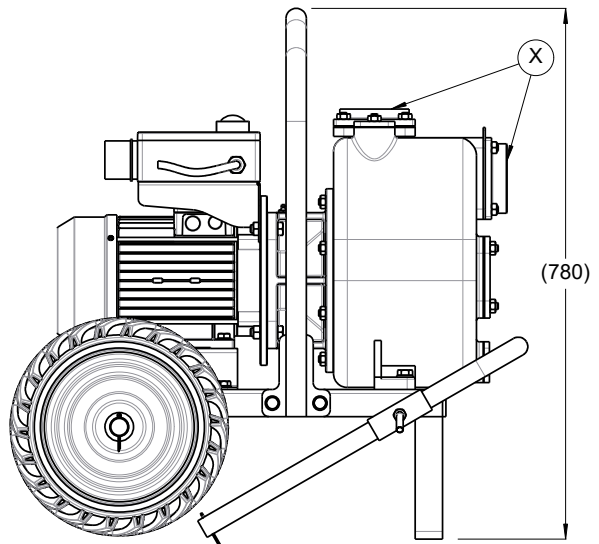
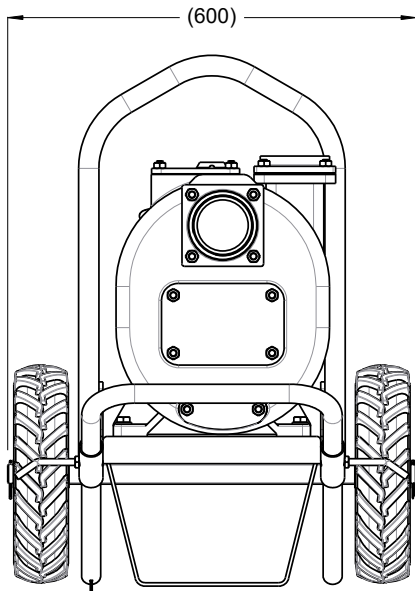
S 85 ..T+T32+SQ



kg = 150
m³ = 0.52



kg = 137



R3" BSP

